

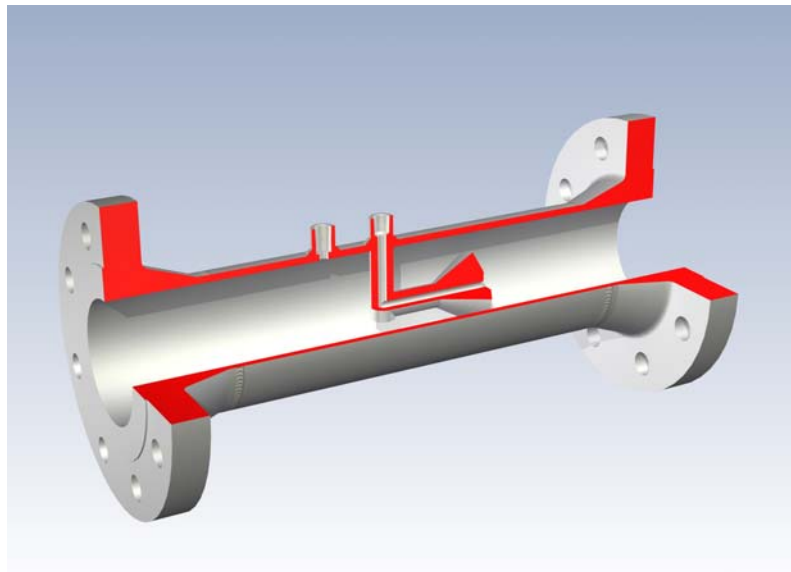
EM-CONE Type EMF Cone type Differential Pressure Producer

Principle

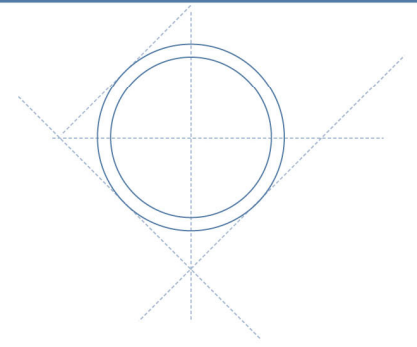
EMCONE is used as primary element in flow measurement of liquid, gas and steam according to the differential pressure principle.

Construction

Design and calculation standards	: EN, PED 97/23 EC, ANSI/ASME
Sizes	: DN 50 - 900 2" - 36"
Pressure rating	: PN 10 - 250, 150 - 1500 lbs
Material	: Carbon steel P235GH, P250GH, P265GH, A105N, A106 Gr. B, AISI 316, Duplex, Super Duplex, 6Mo, heat-resisting steels, other materials on request
Mounting style	: Flanges connection according to DIN or ANSI
Pressure taps	: 1/2", 3/4" NPT ext., 1/2", 3/4" flanged
Flange facing	: Flat or raised face according to DIN 2526 or flat, raised face or ring type joint according to ANSI B 16.5
Beta ratio	: 0,3, 0,5, and 0,7 (0,5 is standard).

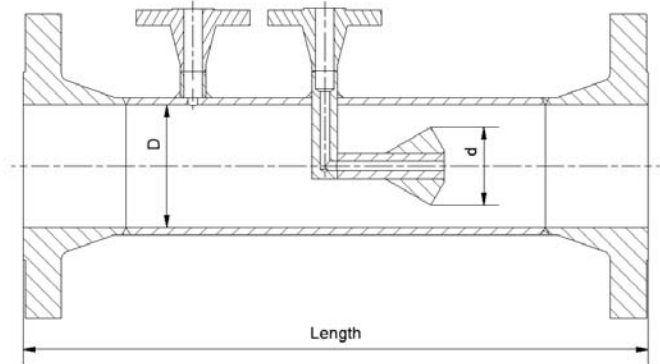


0-06-072-1



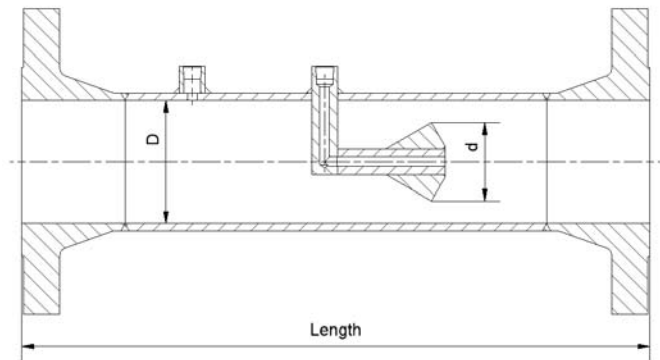
Technical Data

- Accuracy : +/- 4-5 % (un-calibrated), +/- 0,5 % (calibrated).
- Repeatability : +/- 0,2 %
- Pressure loss : 40 % of measured differential pressure with beta ratio 0,5
- Limits for Reynolds No. : $Re > 100000$
- Installation requirement : down to 5 x D up-stream and 2 x D down-stream.



Advantages

- Wide range of applications
- Space saving
- Repeatable.
- Ideal for difficult applications.
- Suitable for erosive fluids.
- No risk of clogging. Self cleaning.



Accessories

Shut-off valves and condensing chambers for steam flow measurement.

Dimensions

DN/Inch	150 lbs	300 lbs	600 lbs	900 lbs	1500 lbs	2500 lbs
50 / 2"	400	400	450	-	500	600
65 / 2½"	450	450	500	-	550	600
80 / 3"	500	500	550	650	650	750
100 / 4"	550	550	600	700	700	800
150 / 6"	750	750	800	900	900	1100
200 / 8"	850	850	900	1100	1100	1300
250 / 10"	900	900	1000	1200	1200	1600
300 / 12"	1000	1000	1100	1250	1300	1700
350 / 14"	1050	1050	1100	1250	1400	-
400 / 16"	1050	1050	1150	1300	1400	-
450 / 18"	1100	1150	1200	1450	1500	-
500 / 20"	1200	1300	1350	1600	1700	-
600 / 24"	1500	1500	1600	1800	1900	-
700 / 28"	1700	1800	1900	2000	2050	-
800 / 32"	1700	1950	1950	-	-	-
900 / 36"	1700	1950	2000	-	-	-
1000 / 40"	2000	2200	-	-	-	-

All dimensions in mm